

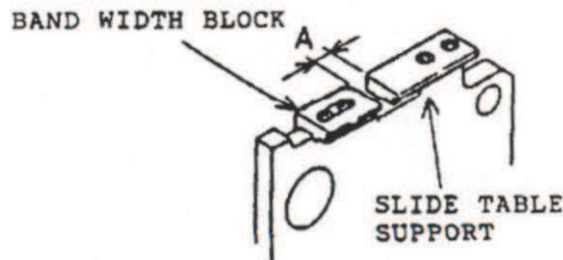
Strap Width Adjustments

1/2" (12mm) to 3/8" (9mm) and Vice Versa

To complete this adjustment it is necessary to change 7 locations on the machine.

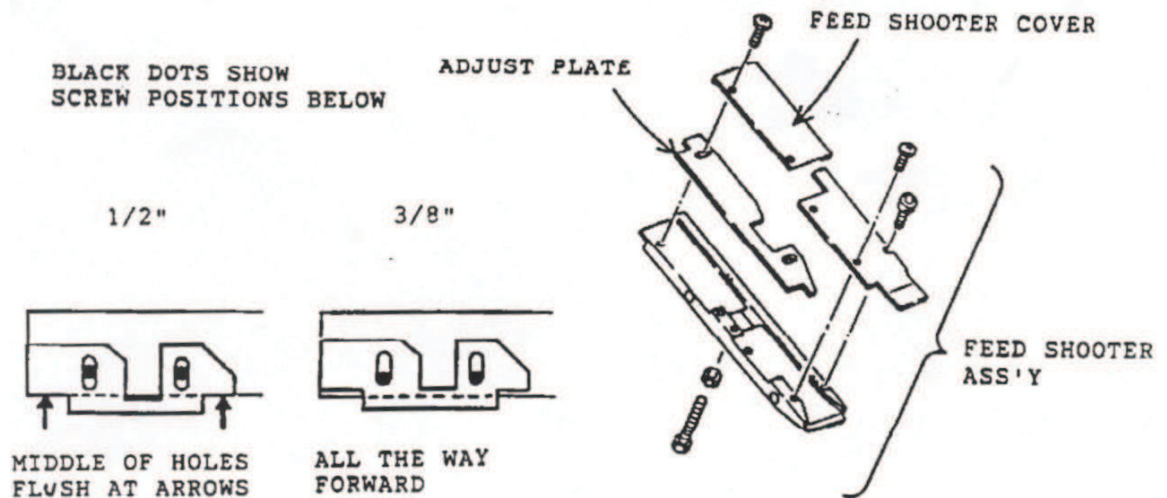
1. Band Width Block

Adjust the Band Width Block so that the space shown as "A" in the illustration below is the width of the strap + 1mm.



2. Feed Shooter

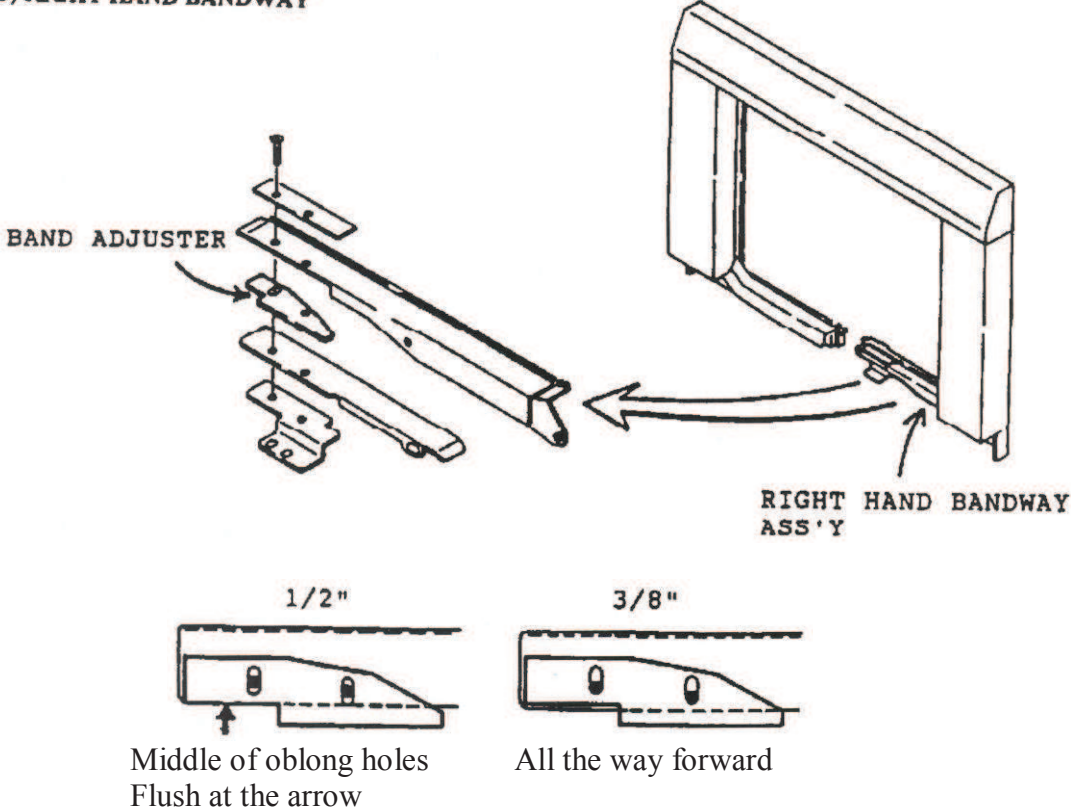
Loosen the top 3 screws on the Feed Shooter cover. Slide the Adjuster Plate in or out. For 1/2" strap, the Plate should be in the middle of the oblong holes in the Adjuster Plate. For 3/8" the Adjuster Plate should be pushed all the way forward. See illustration below for details.



3. Right Hand Bandway

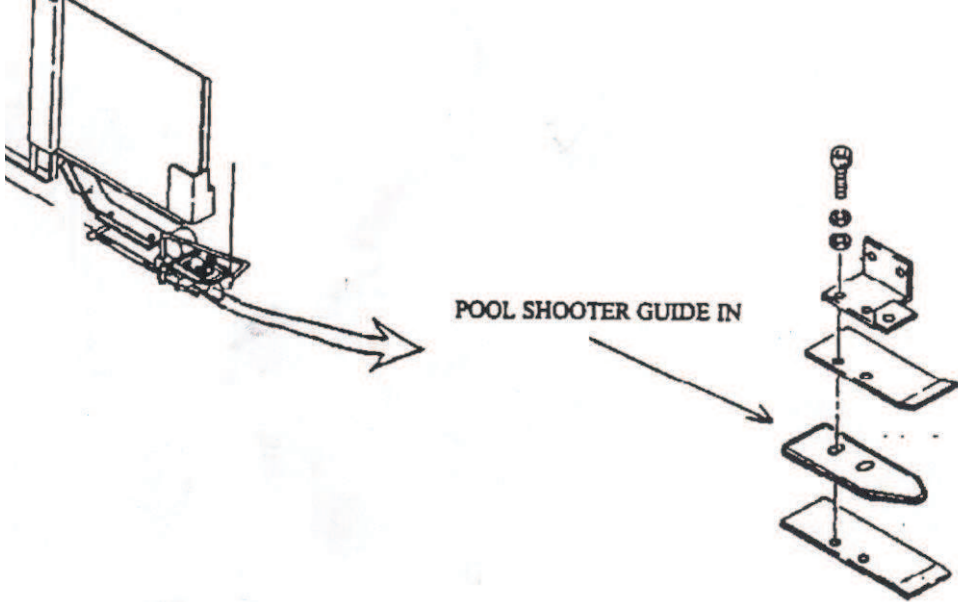
Loosen two screws on Right Hand Bandway Adjuster Plate. Slide the Adjuster Plate in or out. For 1/2" strap, the left edge of the Adjuster Plate should be flush with the Bandway and the screws should be in the middle of the oblong adjustment holes. For 3/8" the Plate should be pushed fully forward. See Illustration below for details.

(3) RIGHT HAND BANDWAY

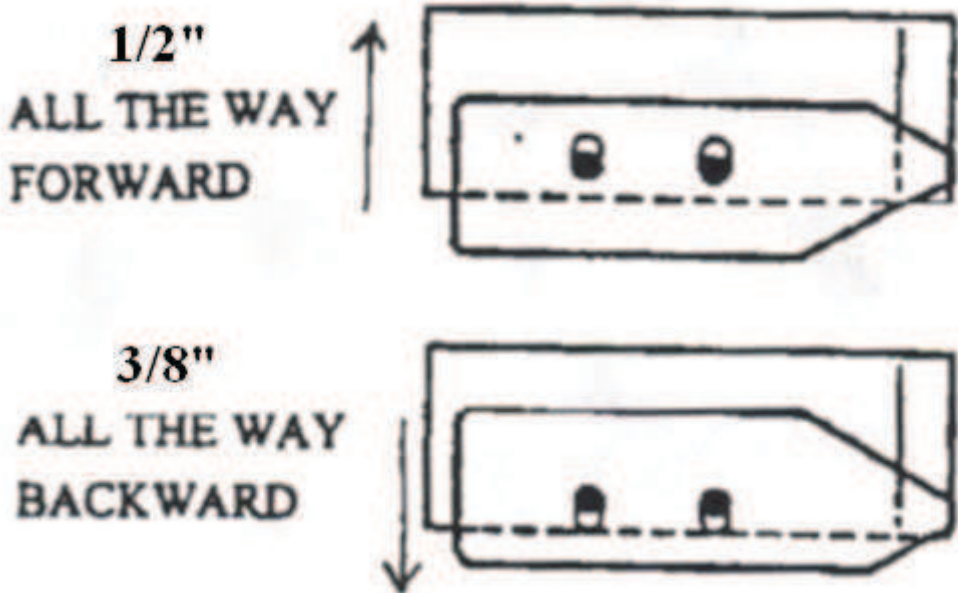


4. Pool Shooter Guide In

The Pool Shooter Guide In is located just to the left of the Pool Feed Rollers.

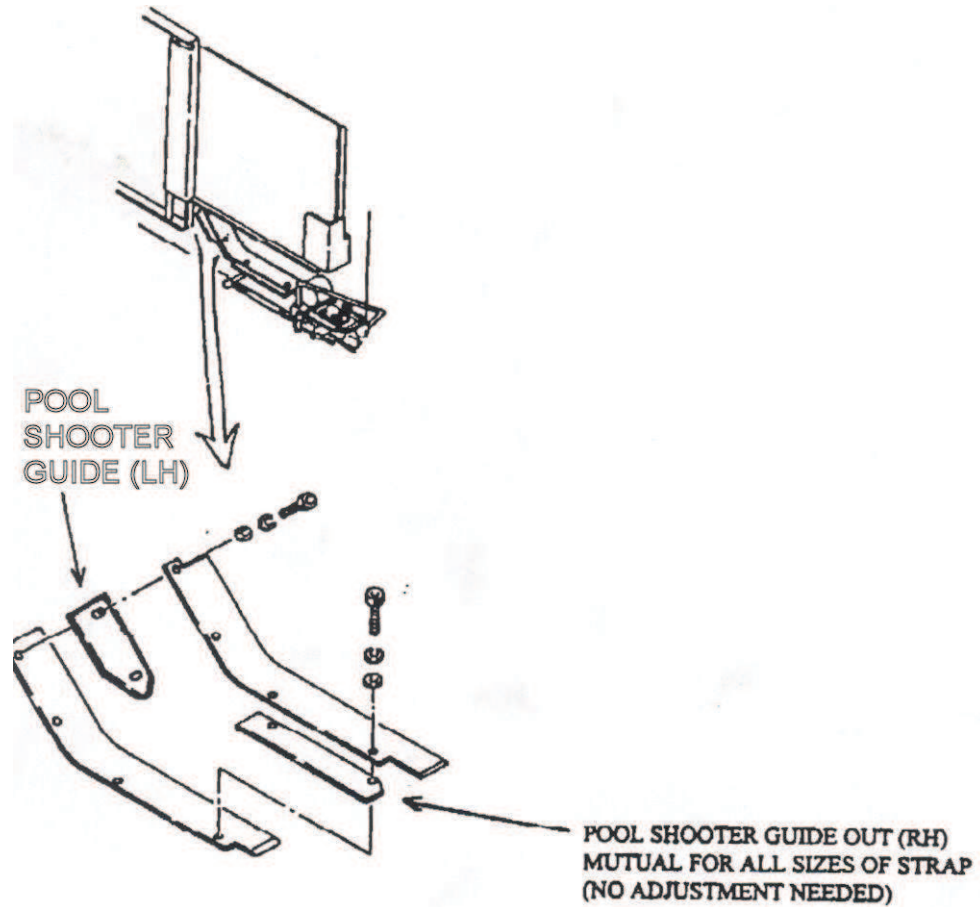


To adjust it, flip and position the Adjuster Plate and set as shown in the illustration below.



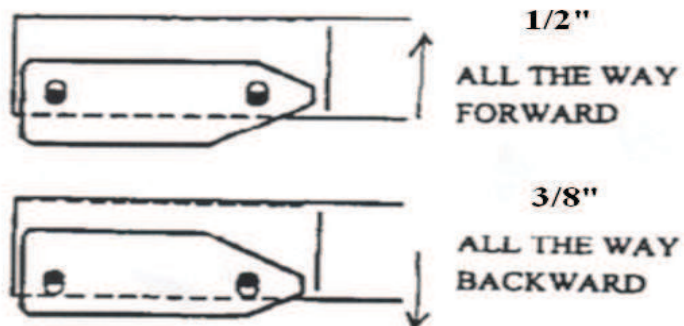
5. Pool Shooter Out Guide

The Pool Shooter Out Guide is located on the end of the Pool Shooter Assembly nearest to the Pool Box.



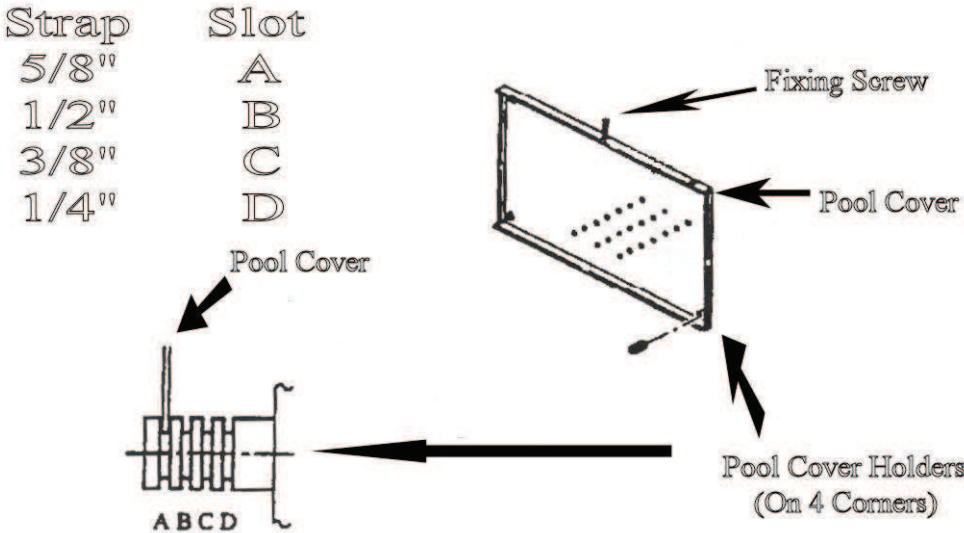
To adjust it, flip and position the Adjuster Plate and set as shown in the illustration below.

POOL SHOOTER GUIDE OUT (LH)

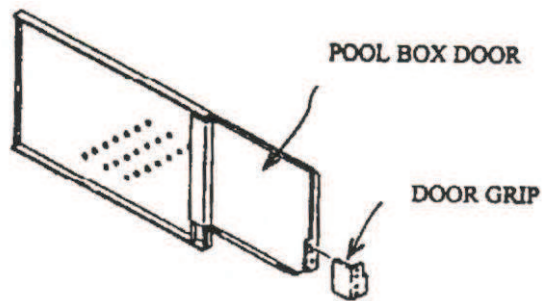


6. Pool Cover

To adjust the Pool Cover, loosen the Fixing Screw on the top of the Cover and move it to the correct slot on the Pool Cover Holders. After adjustment tighten the Fixing Screw at the top of the Cover.



7. Pool Door Grip



To adjust the Pool Door Grip place the set screws in either the inner or outer set of holes depending on strap size and then push Pool Door Grip in the direction shown in the illustration below.

